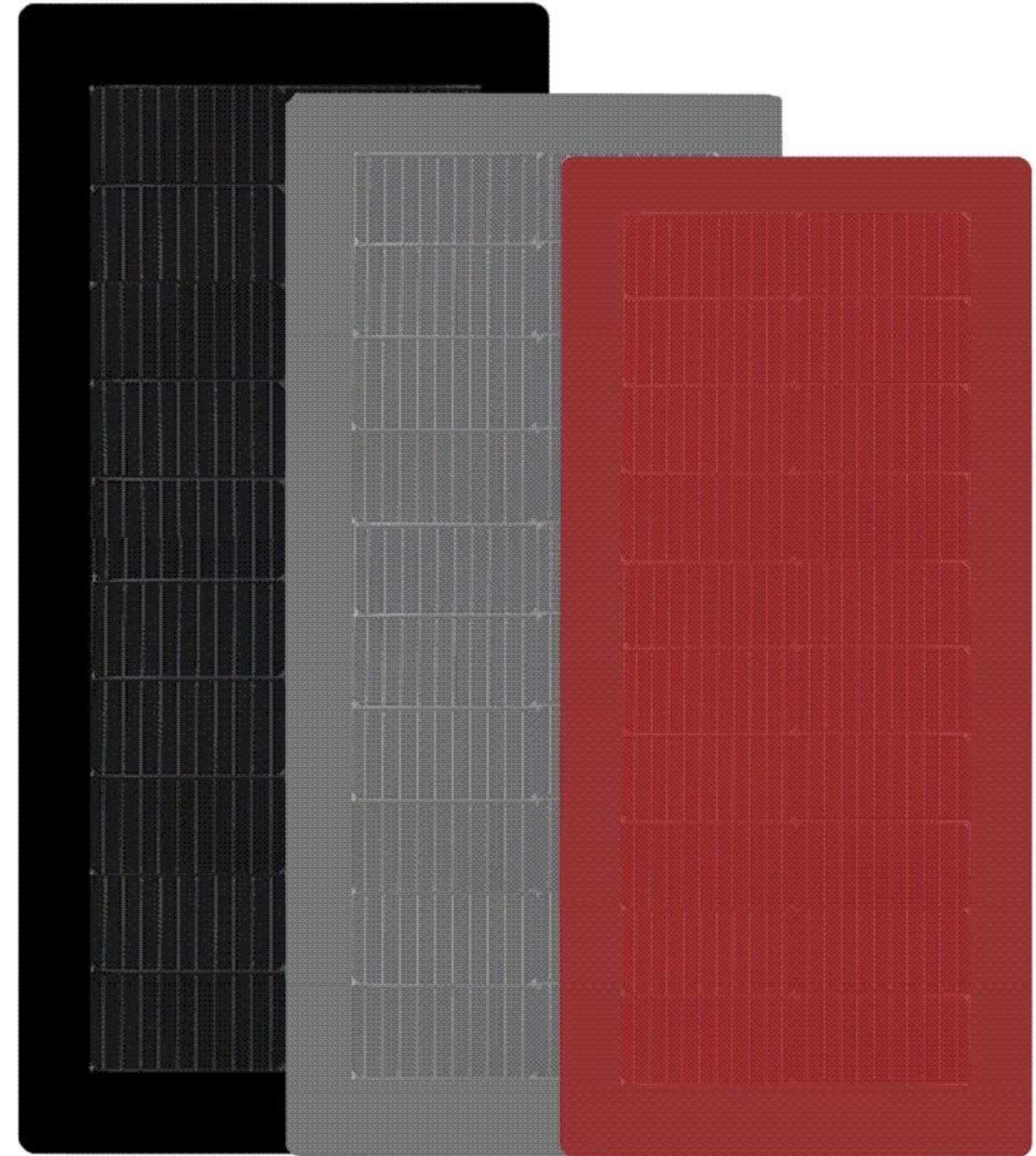


Double Glass Flat Tiles

Pmax: 120W



FEATURES

Easy installation

Standardized modular design facilitates and streamlines installation process

Seamless integrated design

Can be integrated with a multitude of exterior roof structures and designs

High-Efficiency Solar Integration

Flat structure ensures maximum sunlight absorption

Lightweight & Structural Compatibility

Lighter than traditional roof tiles
Reduces structural load on the building

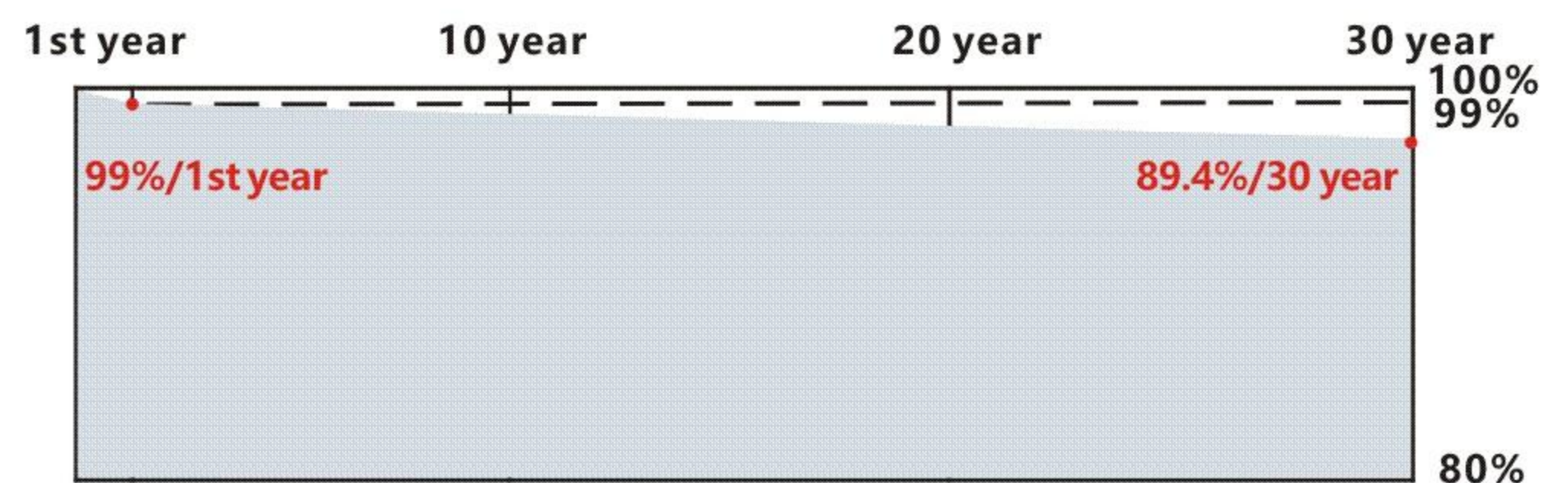
Harsh environmental adaptation

Passing through salt spray and ammonia corrosion tests

Long and reliable quality

IEC61215(2016), IEC61730(2016)
ISO9001:2015: Quality management system
ISO14001:2015: Environmental management system
ISO45001:2018: Occupational health and safety management system

Factory address: Building No.4, Qingxi industrial park phase two, Hanshan County, Ma Anshan City, Anhui, China



- First year power attenuation $\leq 1\%$.
- Linear attenuation of $\leq 0.4\%$ per year from the 2nd to 30th year



- 1st year degradation less than 1%
- 30 years power output 89.4%
- ★ ISO 9001: 2015 Quality Management
- ★ ISO14001: 2015 Environment

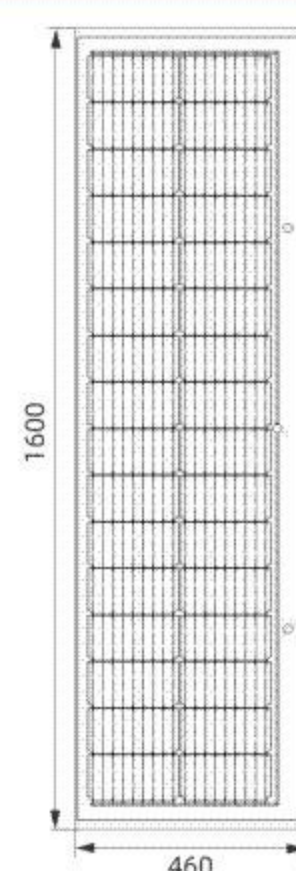
Strictly complying with IEC 61215 and IEC 61730 standards

SPECIFICATION

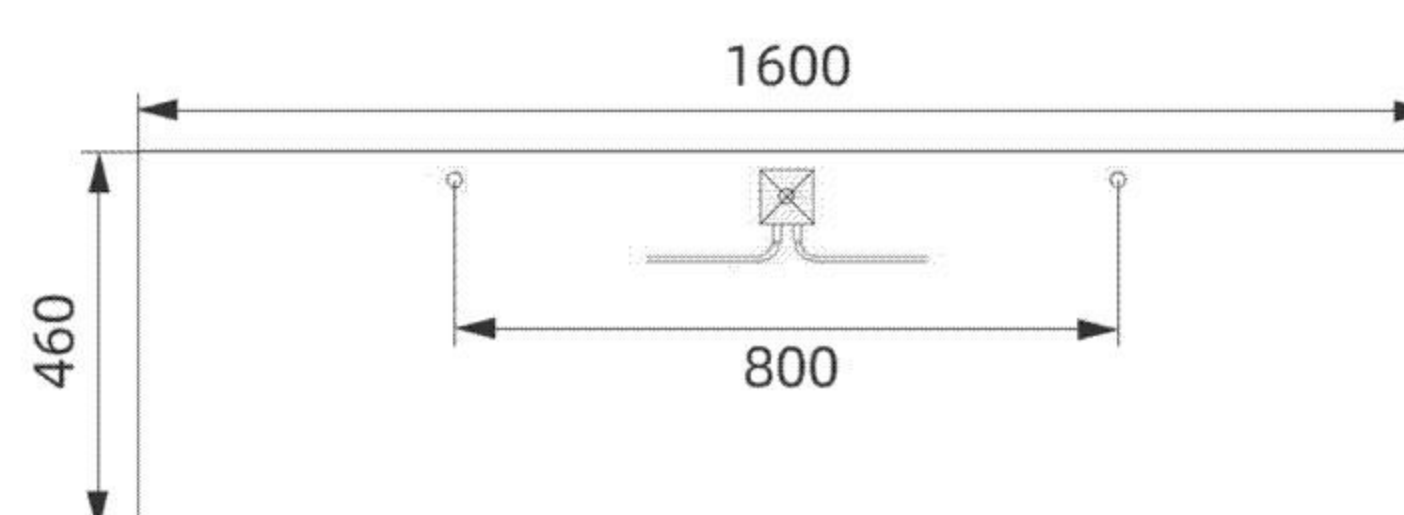
Model Type	ESM-FT120W
	STC
Maximum Power (Pmax)	120
Open Circuit Voltage (Voc)	10.99
Short Circuit Current (Isc)	13.26
Maximum Power Voltage (Vmp)	9.59
Maximum Power Current (Imp)	12.50
Module Efficiency - η_m (%)	21.8%
Operational Temperature	-40°C ~ +85°C
Maximum System Voltage	1000VDC
Maximum Series Fuse Rating	20A
Weight	13.5kg
Product size	1600*460*6.5mm
Wind Rating	Class II
Max Load (Front/back)	5400Pa/2400Pa
QTY/Pallet	42pcs
QYT in 40HQ	1764pcs

STC: Irradiance 1000W/m² Cell temperature 20°C Atmospheric quality = 1.5

PRODUCT DRAWING



Front



Back

APPLICATION



EINNOVA SOLARLINE ENERGY CORP. LIMITED

Cell: +86 13813088384

Email : emma.wu@einnova-solarline.com

Website : www.einnova-solarline.com

Factory address: Building No.4, Qingxi industrial park phase two, Hanshan County, Ma Anshan City, Anhui, China